

Double column trolley

- ▶ High quality Dutch product - Perfectly suited for export
- ▶ Storage space behind the screen to arrange equipment and cables
- ▶ Standard equipped with a lockable cover
- ▶ Installation of mini-PC (left or right) on the frame
- ▶ 4 robust braked swivel castors with \varnothing 100 mm
- ▶ In the lowest position, this model is also suitable for primary schools
- ▶ Supplied in 1 box – assembled with 16 bolts
- ▶ Ships @ max. 10 products per pallet



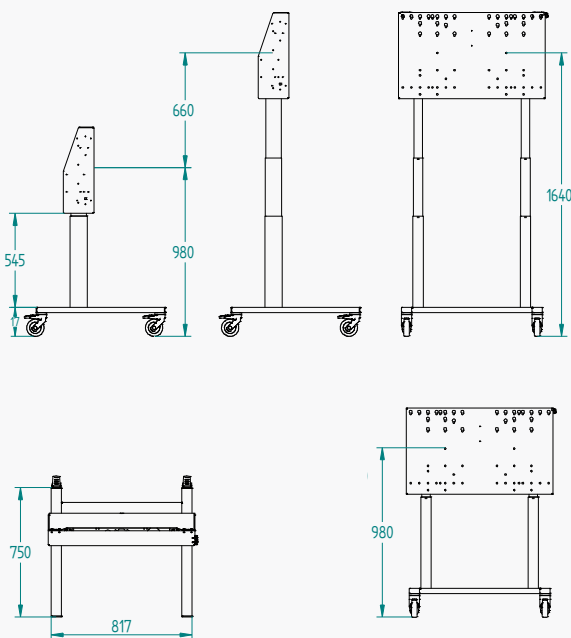
Max. 100 kg Black 98 - 164 cm 66 cm Safety Stop



VESA (W x H)

- 800 x 400
- 700 x 400
- 600 x 400
- 600 x 230
- 600 x 200
- 500 x 400
- 456 x 400
- 400 x 400
- 400 x 300
- 400 x 200
- 300 x 400
- 300 x 300
- 200 x 400
- 200 x 200

Technical drawing



Accessoires

<p>EFFLAP002Z</p> <p>Laptop shelf mounting front 400 x 300 mm</p>	<p>EFFLAP5250Z</p> <p>Laptop shelf mounting back 400 x 400 mm</p>	<p>CMM01Z</p> <p>Cable Management Module (3 holes right side)</p>
<p>CMM03Z</p> <p>Cable Management Module (4 holes front side)</p>	<p>ELEC041</p> <p>Power strip 6 sockets mountable</p>	<p>ADAP1Z</p> <p>VESA (W x H)</p> <ul style="list-style-type: none"> 800 x 800 600 x 600 800 x 600 600 x 500 800 x 500 <p>VESA Adapter set black</p>
<p>EFFSOUNDZ01</p> <p>Mounting plate for soundbar</p>	<p>EFFHAND</p> <p>Handle set</p>	<p>HOOK81 EFHASPEL</p> <p>Cable hook Cable reel black</p>

