

Trolley Solo

MAX. VESA 800 x 400

Working with a monitor or touchscreen has never been so easy.

From presenting information to interactive communication: first and foremost, working with a monitor or touchscreen has to be easy. And that's precisely what our unique Flexline mounting system provides.



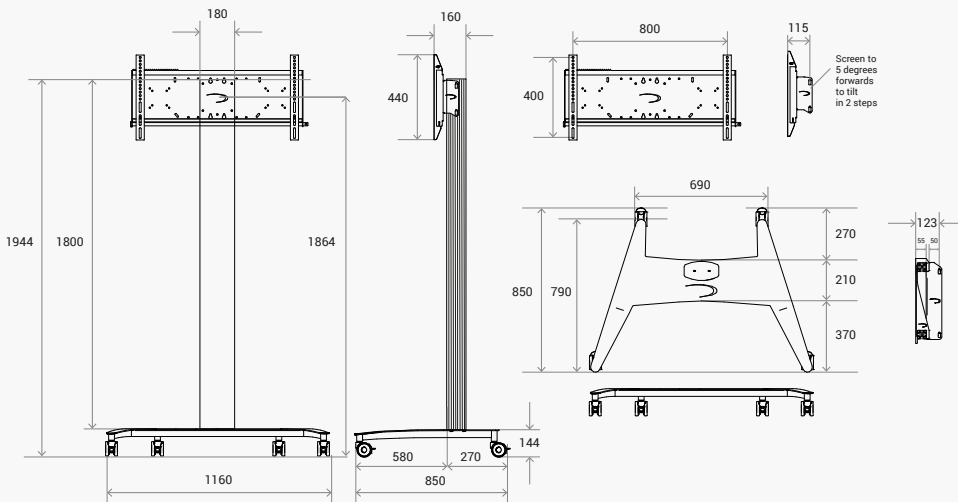
Max. 90 kg



Zwart



Technical drawing



Trolley Solo:

TRM18BV44

- The screen can be mounted at any height you wish
- Rubber cover strip can be positioned on the front or on the back
- Optional, camera support, socket, laptop shelf, cable hook and handle set or input panel (Extron, Gira, Neets, Kramer etc.) to mount

Accessoires



Camera shelf
CAMB1



Laptop shelf
LAPB1



Power strip 4-way
ELEC042



Cable hook
HAAKB1



Handle set
HANB1