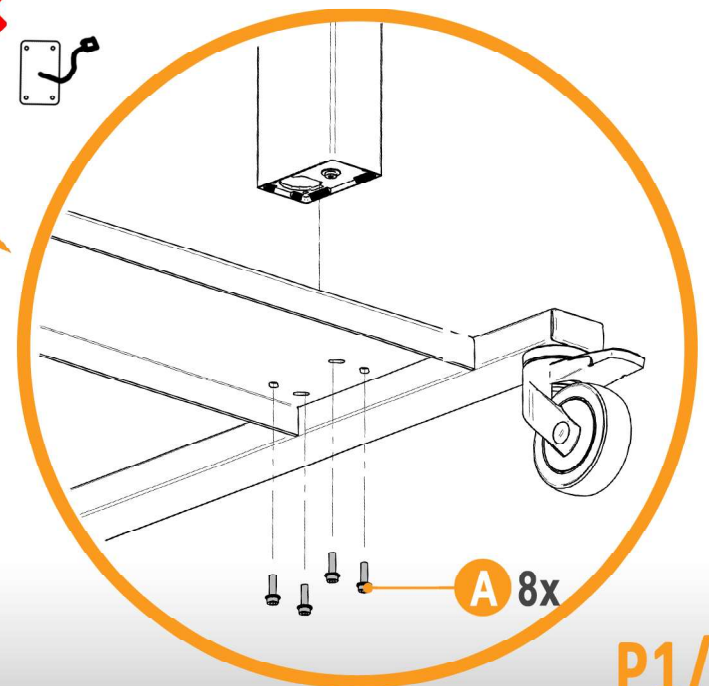
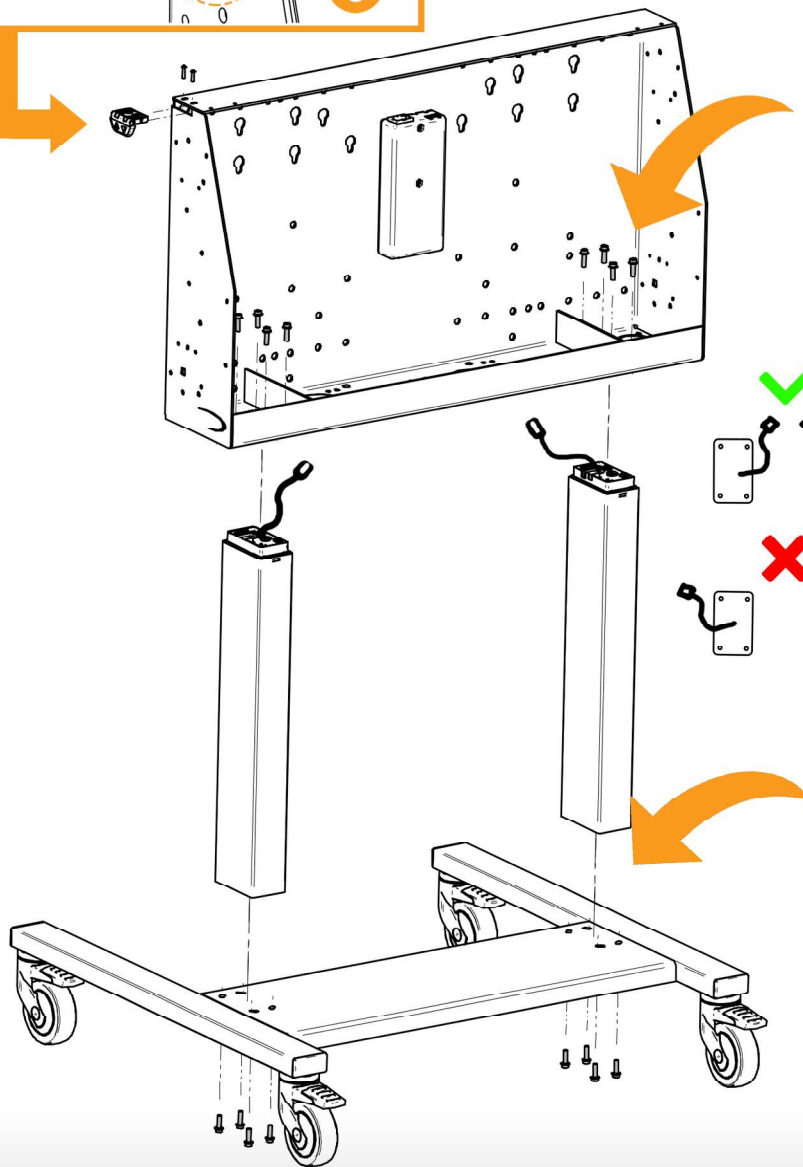
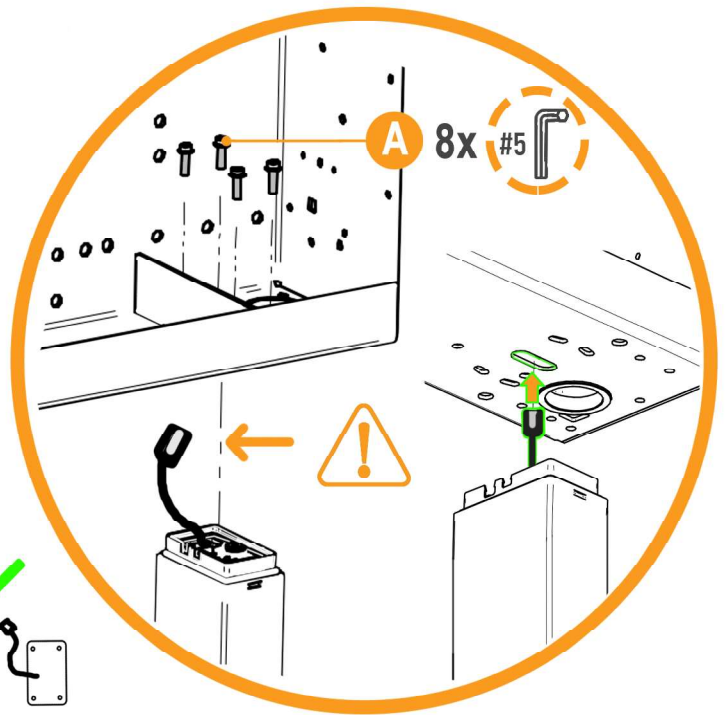
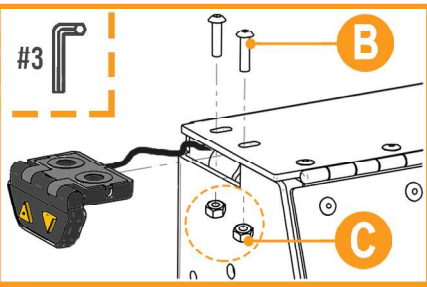


 Montagehandleiding EFF3250

 Installation manual EFF3250

 Installationsanleitung EFF3250

**ergo**xs



P1/2

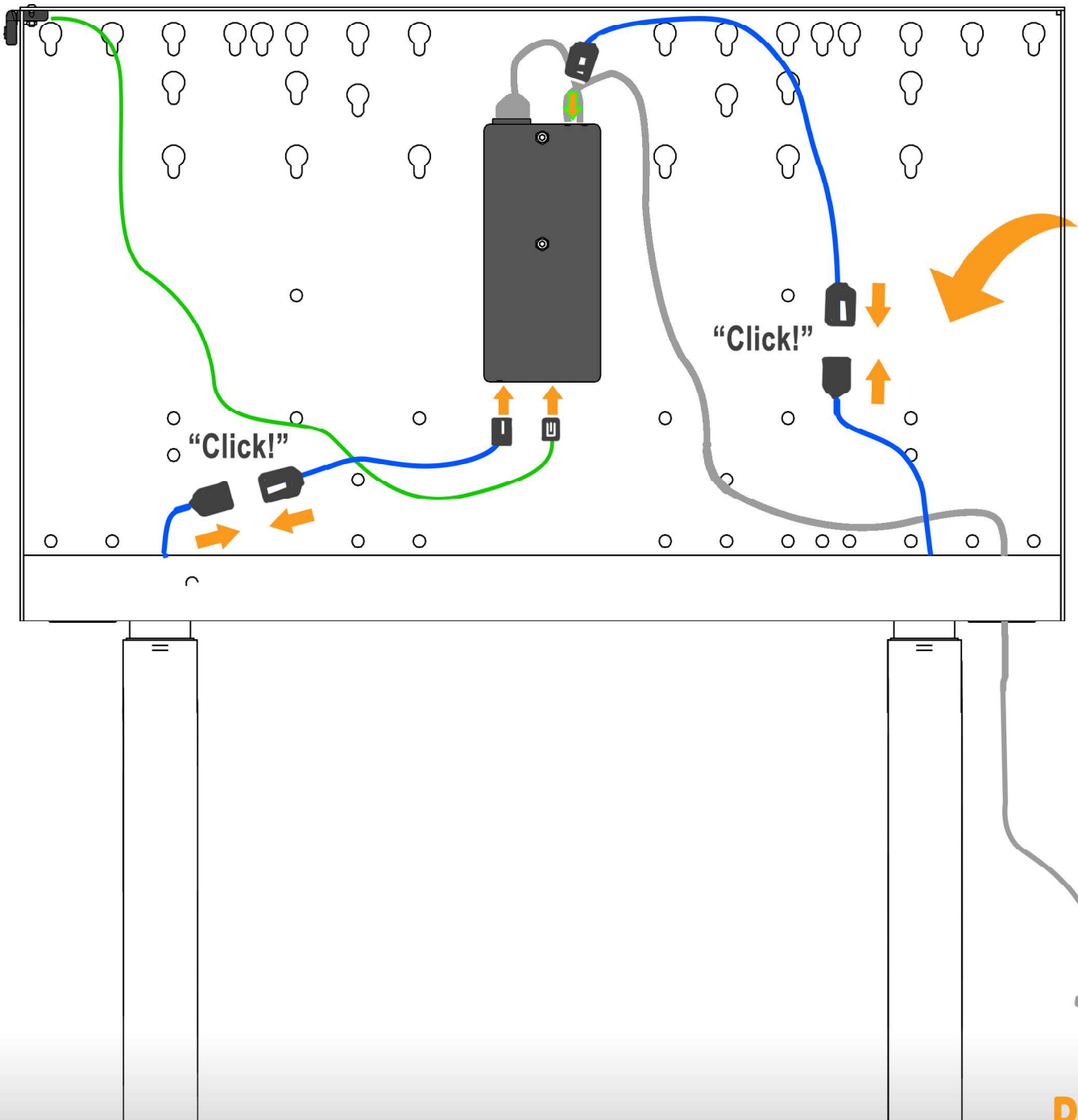
-  Montagehandleiding EFF3250
-  Installation manual EFF3250
-  Installationsanleitung EFF3250



**A** 16x 

**B** 2x 

**C** 2x 



P2/2